

REV	DATE	DESCRIPTION	BY	CHK	APPV
C1	19SEP2023	REVISED PER PCN-23-187402	OD	IG	
D	06FEB2024	REVISED PER PCN-23-192205	RK	CB	
D1	22MAY2024	REVISED PER PCN-24-210159	PS	CB	
D2	18NOV2024	REVISED PER PCN-24-226098	PS	CB	

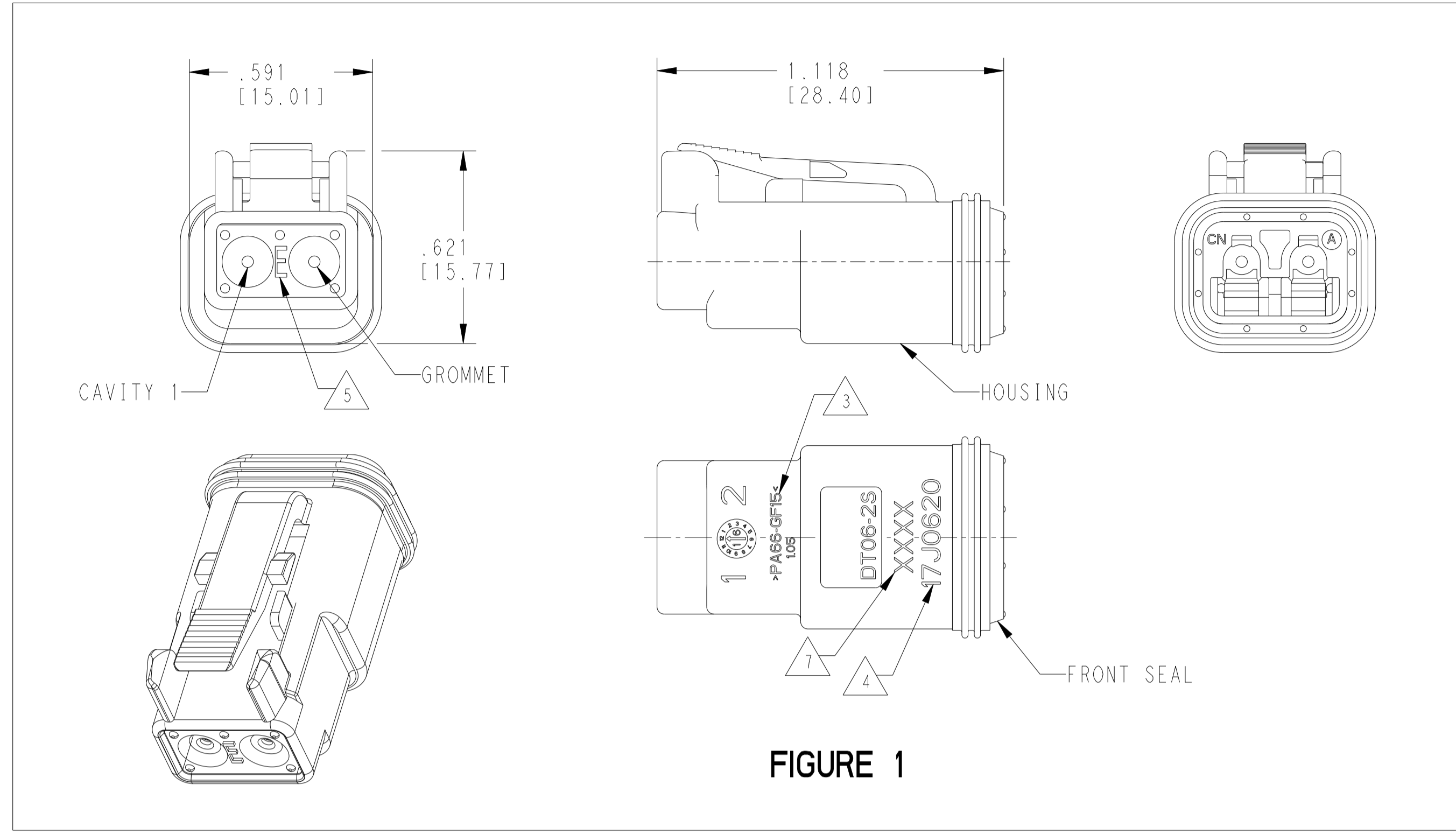


FIGURE 1

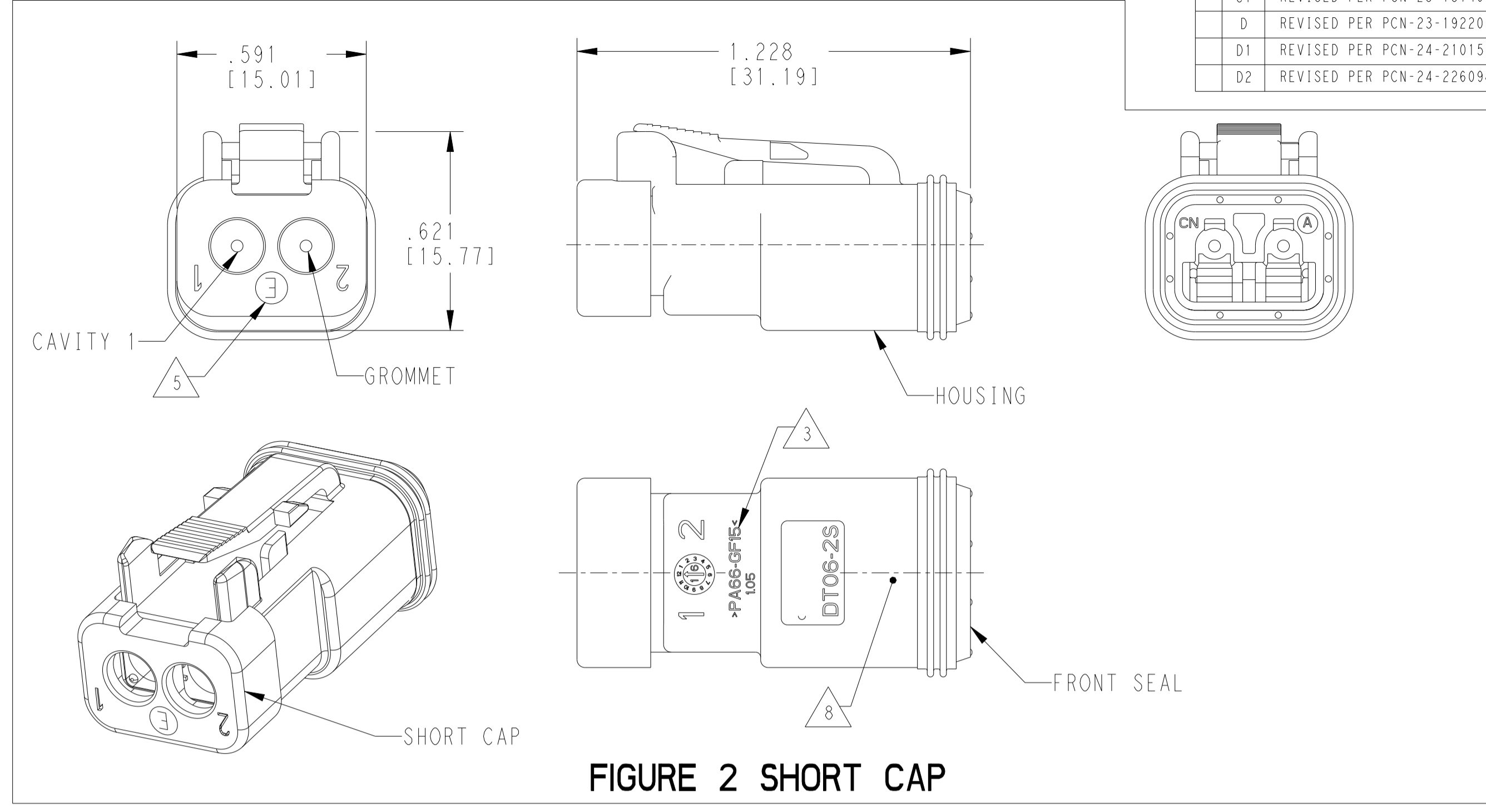


FIGURE 2 SHORT CAP

CONTACT SIZE	WIRE RANGE	INSULATION OD SEALING RANGE	SEAL IDENTIFICATION
16	14-20 AWG [2.5-0.5mm <sup>2</sup> ]	.088-.145 [2.23-3.68]	STANDARD SEAL
		.053-.120 [1.35-3.05]	EXTRA THIN SEAL E-SEAL

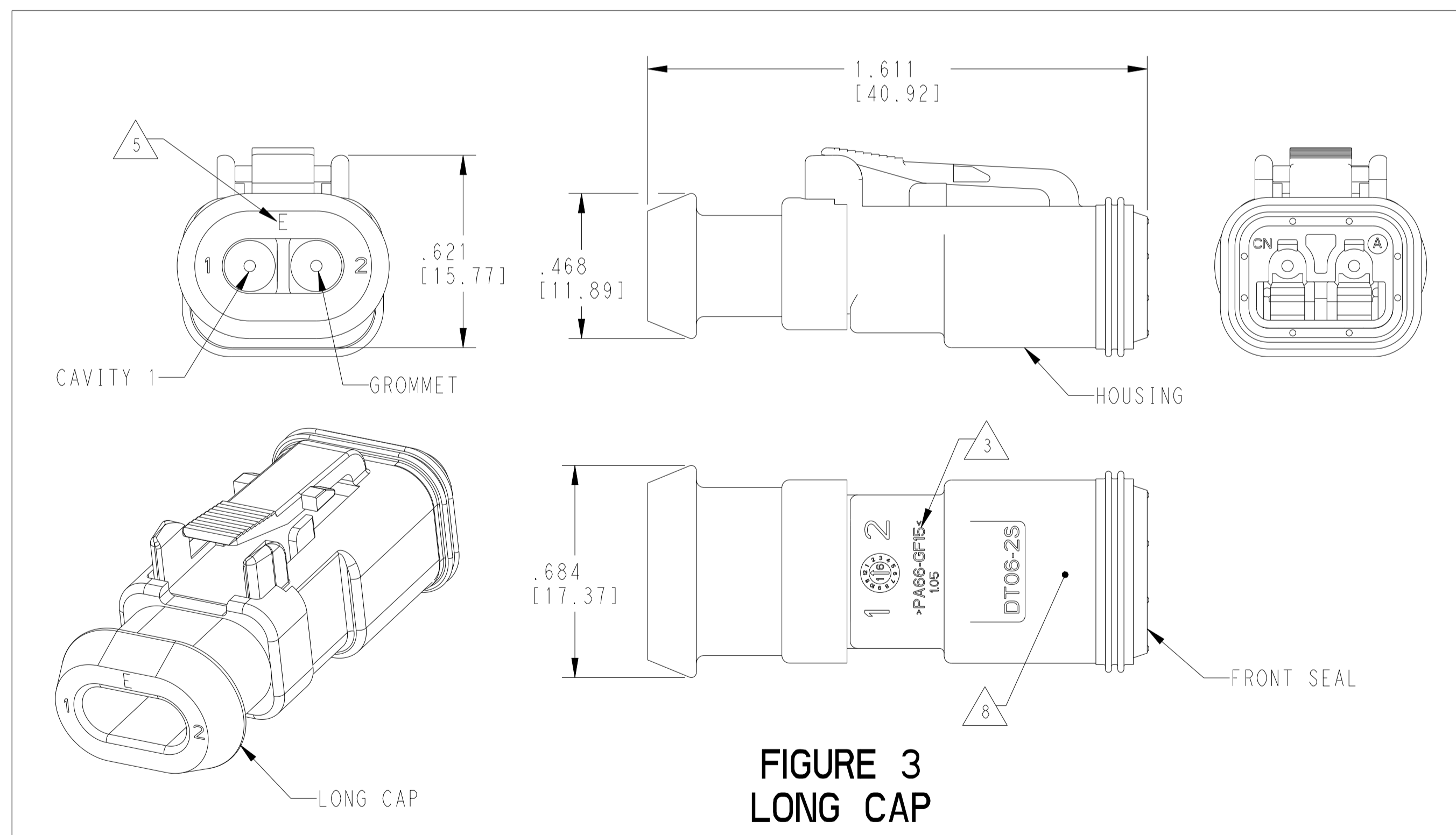


FIGURE 3 LONG CAP

TE INTERNAL PART NUMBER	DEUTSCH PART NUMBER	PN REV	HOUSING COLOR	STANDARD SEAL GROMMET	EXTRA THIN SEAL E-SEAL GROMMET	BLOCKED SEAL	SHORT CAP	LONG CAP	FIGURE
DT06-2S	DT06-2S	A	GREY	X					1
DT06-2S-C015	DT06-2S-C015	F	GREY		X				1
DT06-2S-C017	DT06-2S-C017	B	GREY			X	X		2
DT06-2S-CE01	DT06-2S-CE01	E	GREY		X		X		2
DT06-2S-CE03	DT06-2S-CE03	B	BLACK		X		X	X	3
DT06-2S-CE04	DT06-2S-CE04	C	GREY		X		X		2
DT06-2S-CE05	DT06-2S-CE05	B	BLACK		X		X		1
DT06-2S-CE06	DT06-2S-CE06	B	BLACK		X			X	3
DT06-2S-CE13	DT06-2S-CE13	B	BLACK		X		X		2
DT06-2S-E003	DT06-2S-E003	B	GREY	X			X		1
DT06-2S-E004	DT06-2S-E004	A	BLACK	X			X		2
DT06-2S-E005	DT06-2S-E005	A	BLACK	X			X		2
DT06-2S-E008	DT06-2S-E008	B	GREY	X				X	3
DT06-2S-EP04	DT06-2S-EP04	C	GREY	X			X		2
DT06-2S-EP06	DT06-2S-EP06	B	BLACK	X			X		2
DT06-2S-EP11	DT06-2S-EP11	A	BLACK	X				X	3
DT06-2S-P004	DT06-2S-P004	A	GREY	X					1
DT06-2S-P012	DT06-2S-P012	A	BLACK	X					1
1-2448100-1	DT06-2S-TE09	A	BROWN		X				1
1-2448100-2	DT06-2S-TE03	A	GREEN		X				1
1-2448100-3	DT06-2S-TE07	A	BLUE		X				1
2-2448100-1	DT06-2S-TN09	A	BROWN	X					1
2-2448100-2	DT06-2S-TN03	A	GREEN	X					1
2-2448100-3	DT06-2S-TN07	A	BLUE	X					1
3-2448100-1	DT06-2S-EE18	A	BROWN		X		X		2
3-2448100-2	DT06-2S-EE16	A	GREEN		X		X		2
3-2448100-3	DT06-2S-EE17	A	BLUE		X		X		2
4-2448100-1	DT06-2S-EE14	A	BROWN	X			X		2
4-2448100-2	DT06-2S-EE13	A	GREEN	X			X		2
4-2448100-3	DT06-2S-EE06	A	BLUE	X			X		2

**3** MATERIAL: HOUSING: PA66 GF15, SEE TABLE FOR COLOR SHORT, LONG CAP: PA66 GF15, BLACK GROMMET: E-SEAL VMQ (BURNT RED) N-SEAL VMQ (RED-ORANGE) FRONT SEAL: VMQ (RED-ORANGE),

2. THIS PLUG MATES WITH DT04-2P-XXXX RECEPTACLE. (XXXX = ALL MODIFICATIONS)

1. SECONDARY WEDGE LOCK SOLD SEPARATELY: W2SX-XXXX. (X = A,B,C,D KEY, XXXX = ALL MODIFICATIONS) W2S OR W2S-P012 MAY BE USED WITH THESE PLUGS, W2S-P012 IS RECOMMENDED.

NOTES: UNLESS OTHERWISE SPECIFIED

**7** XXXX IDENTIFIES THE MODIFICATION NUMBER, IF APPLICABLE. EXAMPLE: "E003" FOR DT06-2S-E003, OR BLANK FOR DT06-2S.

6. FOR CONTACTS AND WIRE PERFORMANCE AND APPLICATION CHARACTERISTICS SEE CUSTOMER DRAWING 0425-015-0000.

**5** "E" IDENTIFIES E-SEAL.

**4** DATE CODE: IDENTIFIES THE YEAR, MONTH, DAY AND HOUR OF ASSEMBLY. YEAR: FIRST AND SECOND DIGITS. (17 = 2017) MONTH: THIRD DIGIT, EXCLUDING 1. A = JAN, B = FEB, C = MARCH ... (K = OCTOBER) DAY: FOURTH AND FIFTH DIGITS (14 = 14th DAY) HOUR: SIXTH AND SEVENTH DIGITS (11 = 11AM)

**10** CONNECTORS WITH A BLOCKED SEAL INCLUDE THE W2S-P012 WEDGE INSTALLED AS PART OF THE PLUG ASSEMBLY.

**9** ALTERNATE CONSTRUCTION EXCLUSIVELY FOR PARTS PRODUCED IN CHINA.

**8** ADDITIONAL MARKING PER NOTE 4 AND 7 EXCLUSIVELY FOR PARTS WITH CAPS PRODUCED IN CHINA.

THIS DRAWING IS A CONTROLLED DOCUMENT. DWN: JAIME C. APOSTOL 24OCT2016 CHK: D. MEYER 24OCT2016 APPV: D. MEYER 24OCT2016

TE Connectivity

DIMENSIONS: in. [mm]

TOLERANCES UNLESS OTHERWISE SPECIFIED:

0 PLC	±
1 PLC	±
2 PLC	±
3 PLC	±
4 PLC	±
ANGLES	±0°30'00"
FINISH	

MATERIAL: **3**

SIZE: A1 CAGE CODE: 108-151009 DRAWING NO: 114-151009 WEIGHT: 1.14-151009

PRODUCT SPEC: 108-151009 APPLICATION SPEC: 114-151009

RESTRICTED TO: CUSTOMER DRAWING

SCALE: 3:1 SHEET 1 OF 1 REV D2

NAME: 2 WAY PLUG, STANDARD SEAL EXTRA THIN SEAL SHORT CAP AND LONG CAP, DT SERIES

SIZE: A1 CAGE CODE: 4AFU8 DRAWING NO: DT06-2S-XXXX