

LOC	DIST	REVISIONS			
P	LTM	DESCRIPTION	DATE	OWN	APVD
C3		REVISED PER PCN-23-188125	25SEP2023	AJ	CB
D		REVISED PER PCN-23-192205	05FEB2024	RK	CB
D1		REVISED PER PCN-24-210159	21MAY2024	PS	CB
D2		REVISED PER PCN-24-220917	17SEP2024	PS	CB

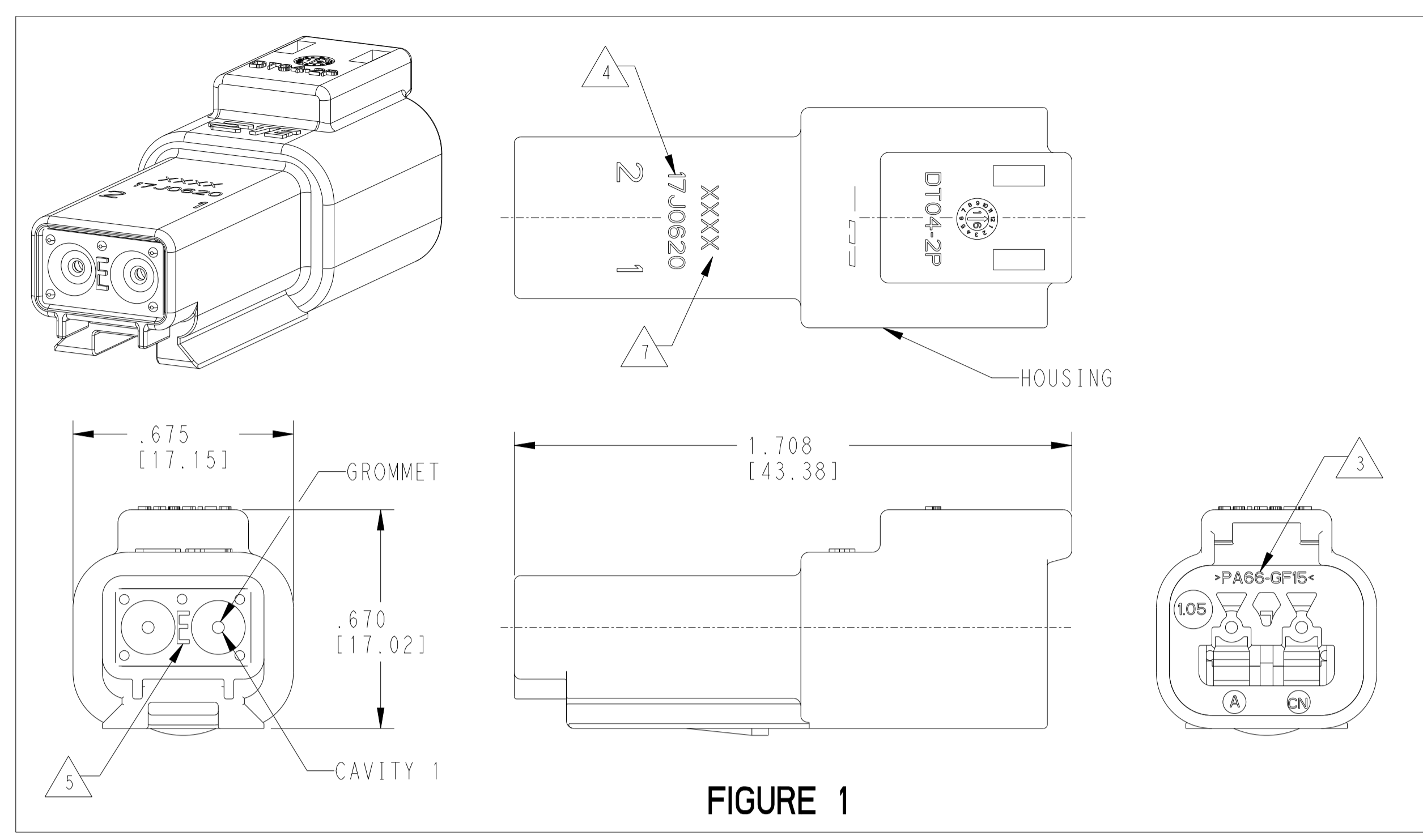


FIGURE 1

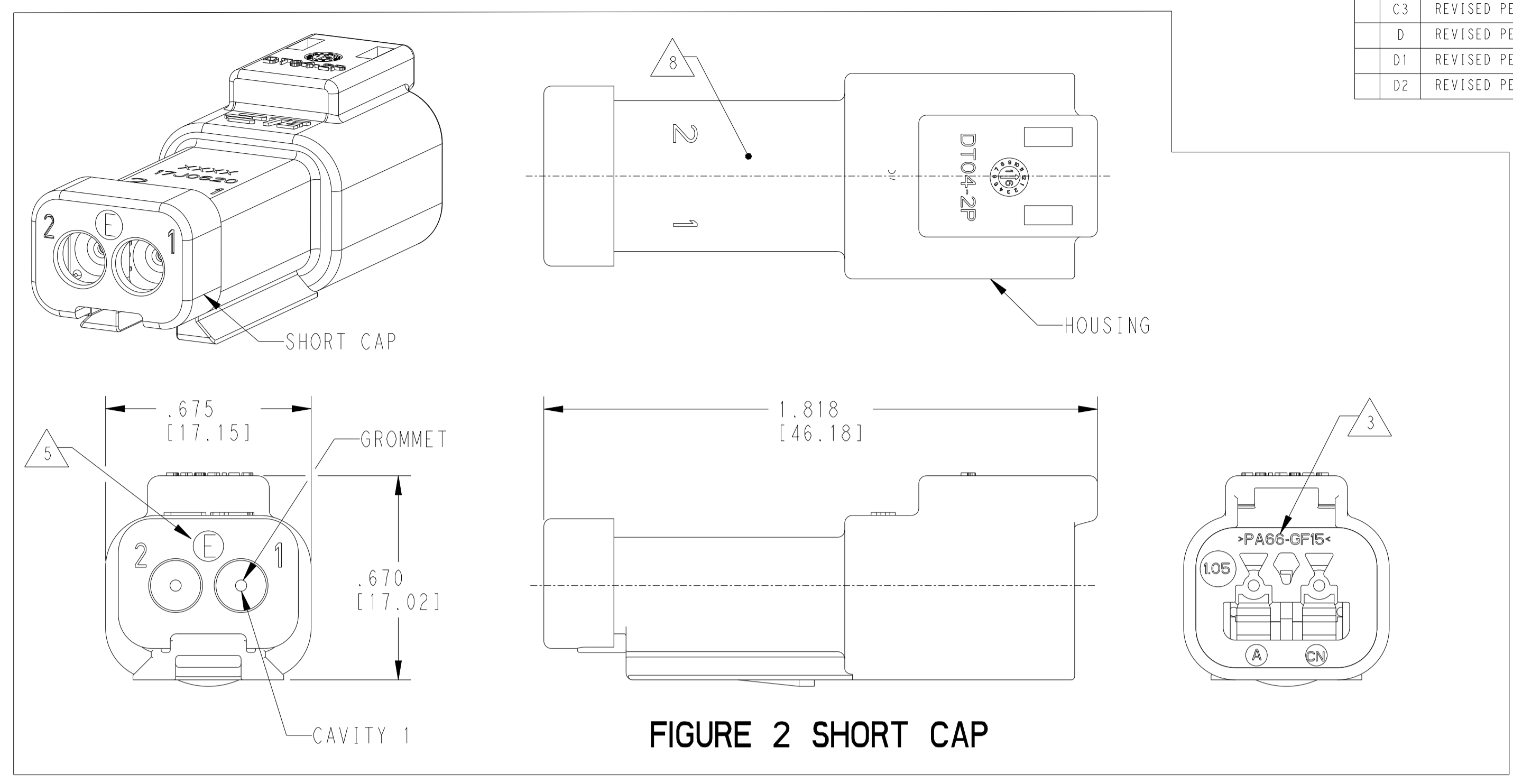


FIGURE 2 SHORT CAP

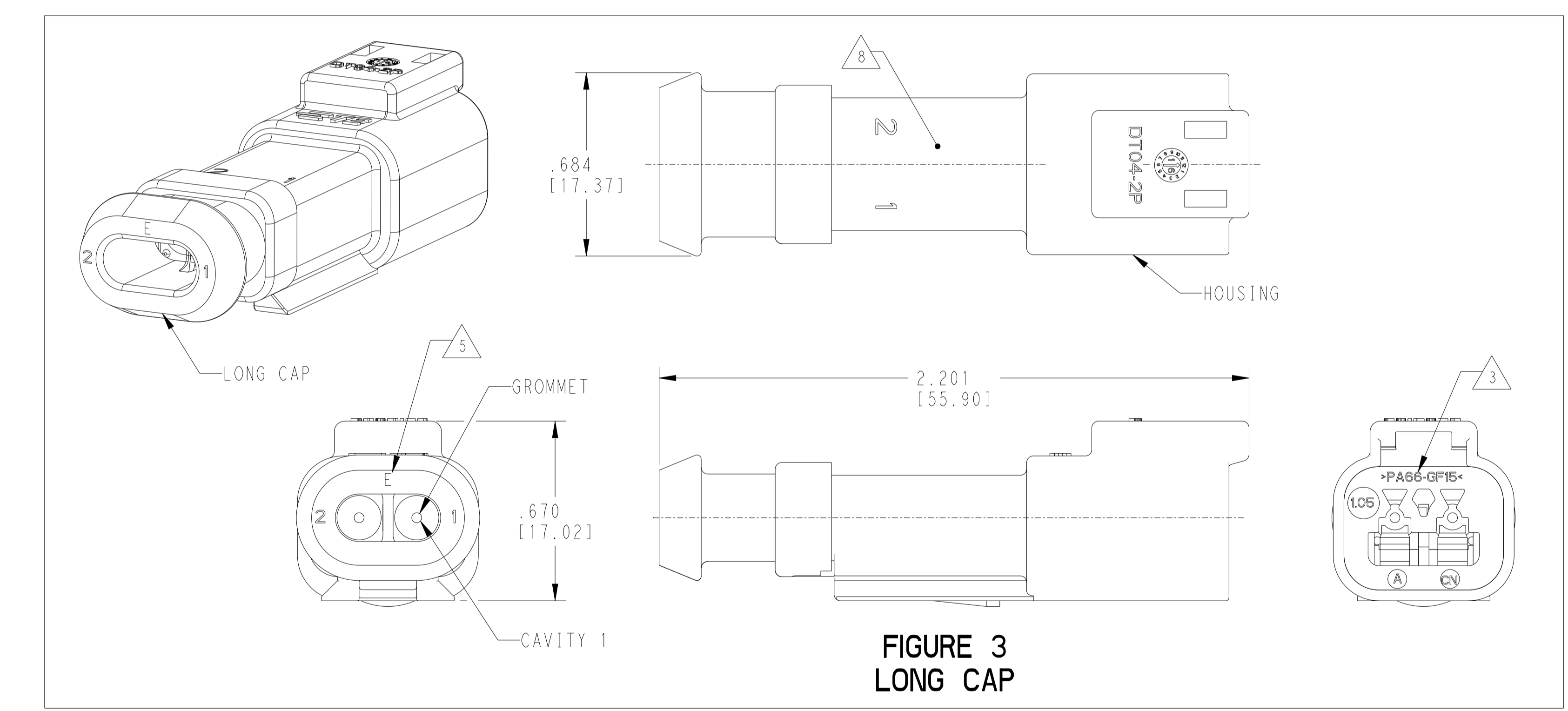


FIGURE 3 LONG CAP

CONTACT SIZE	WIRE RANGE	INSULATION OD SEALING RANGE	SEAL IDENTIFICATION
16	14-20 AWG [2.5-0.5mm <sup>2</sup> ]	.088- .145 [2.23-3.68]	STANDARD SEAL
		.053- .120 [1.35-3.05]	EXTRA THIN SEAL E-SEAL

TE INTERNAL PART NUMBER	DEUTSCH PART NUMBER	PN REV	HOUSING COLOR	STANDARD SEAL GROMMET	EXTRA THIN SEAL E-SEAL GROMMET	BLOCKED SEAL	SHORT CAP	LONG CAP	FIGURE
DT04-2P	DT04-2P	A	GREY	X					1
DT04-2P-C015	DT04-2P-C015	B	GREY		X				1
DT04-2P-C017	DT04-2P-C017	B	GREY			X	X		2
DT04-2P-CE01	DT04-2P-CE01	C	GREY		X		X		2
DT04-2P-CE04	DT04-2P-CE04	D	GREY		X			X	3
DT04-2P-E003	DT04-2P-E003	B	GREY	X			X		2
DT04-2P-E008	DT04-2P-E008	B	GREY	X				X	3
DT04-2P-EP04	DT04-2P-EP04	C	GREY	X			X		2
DT04-2P-P004	DT04-2P-P004	B	GREY	X					1
DT04-2P-CE02	DT04-2P-CE02	B	BLACK		X				1
DT04-2P-CE03	DT04-2P-CE03	B	BLACK		X		X		2
DT04-2P-CE09	DT04-2P-CE09	B	BLACK		X			X	3
DT04-2P-E004	DT04-2P-E004	A	BLACK	X					1
DT04-2P-E005	DT04-2P-E005	A	BLACK	X			X		2
DT04-2P-EE01	DT04-2P-EE01	A	BLACK	X				X	3
1-2448108-1	DT04-2P-TE09	A	BROWN		X				1
1-2448108-2	DT04-2P-TE03	A	GREEN		X				1
1-2448108-3	DT04-2P-TE07	A	BLUE		X				1
2-2448108-1	DT04-2P-TN09	A	BROWN	X					1
2-2448108-2	DT04-2P-TN03	A	GREEN	X					1
2-2448108-3	DT04-2P-TN07	A	BLUE	X					1
3-2448108-1	DT04-2P-EE18	A	BROWN		X		X		2
3-2448108-2	DT04-2P-EE16	A	GREEN		X		X		2
3-2448108-3	DT04-2P-EE17	A	BLUE		X		X		2
4-2448108-1	DT04-2P-EE14	A	BROWN	X			X		2
4-2448108-2	DT04-2P-EE13	A	GREEN	X			X		2
4-2448108-3	DT04-2P-EE06	A	BLUE	X			X		2

4 DATE CODE: IDENTIFIES THE YEAR, MONTH, DAY AND HOUR OF ASSEMBLY.  
 YEAR: FIRST AND SECOND DIGITS. (17 = 2017)  
 MONTH: THIRD DIGIT, EXCLUDING I. A = JAN, B = FEB, C = MARCH ... (K = OCTOBER)  
 DAY: FOURTH AND FIFTH DIGITS (14 = 14th DAY)  
 HOUR: SIXTH AND SEVENTH DIGITS (11 = 11AM)

3 MATERIAL: HOUSING, PA66 GF15, SEE TABLE FOR COLOR  
 SHORT, LONG CAP: PA66 GF15, BLACK  
 GROMMET: E-SEAL VMO (BURNT RED)  
 N-SEAL VMO (RED-ORANGE)  
 BLOCKED VMO (RED-ORANGE)

2. THIS RECEPTACLE MATES WITH DT06-2S-XXXX PLUG.  
 (XXXX = ALL MODIFICATIONS)  
 1. SECONDARY WEDGE LOCK SOLD SEPARATELY: W2PX-XXXX.  
 (X = A,B,C,D KEY, XXXX = ALL MODIFICATIONS)

6. FOR CONTACTS AND WIRE PERFORMANCE AND APPLICATION CHARACTERISTICS SEE CUSTOMER DRAWING 0425-015-0000.  
 3 "E" IDENTIFIES E-SEAL.

NOTES: UNLESS OTHERWISE SPECIFIED

THIS DRAWING IS A CONTROLLED DOCUMENT. OWN: JAIME C. APOSTOL 16 JUN 2016  
 CHK: D. MEYER 16 JUN 2016  
 APVD: D. MEYER 16 JUN 2016  
 DIMENSIONS: i.n. [mm]  
 TOLERANCES UNLESS OTHERWISE SPECIFIED:  
 0 PLC ±  
 1 PLC ±  
 2 PLC ±  
 3 PLC ±.025 (0.64)  
 4 PLC ±  
 ANGLES ±40°30'0"  
 MATERIAL: 3  
 FINISH: 3  
 WEIGHT: 114-151009  
 CUSTOMER DRAWING: 4AFU8 ©=DT04-2P-XXXX  
 TE Connectivity  
 NAME: 2 WAY RECEPTACLE, STANDARD SEAL EXTRA THIN SEAL, SHORT CAP AND LONG CAP, DT SERIES  
 SIZE: A1  
 SCALE: 3:1  
 SHEET: 1 OF 1  
 REV: D2